

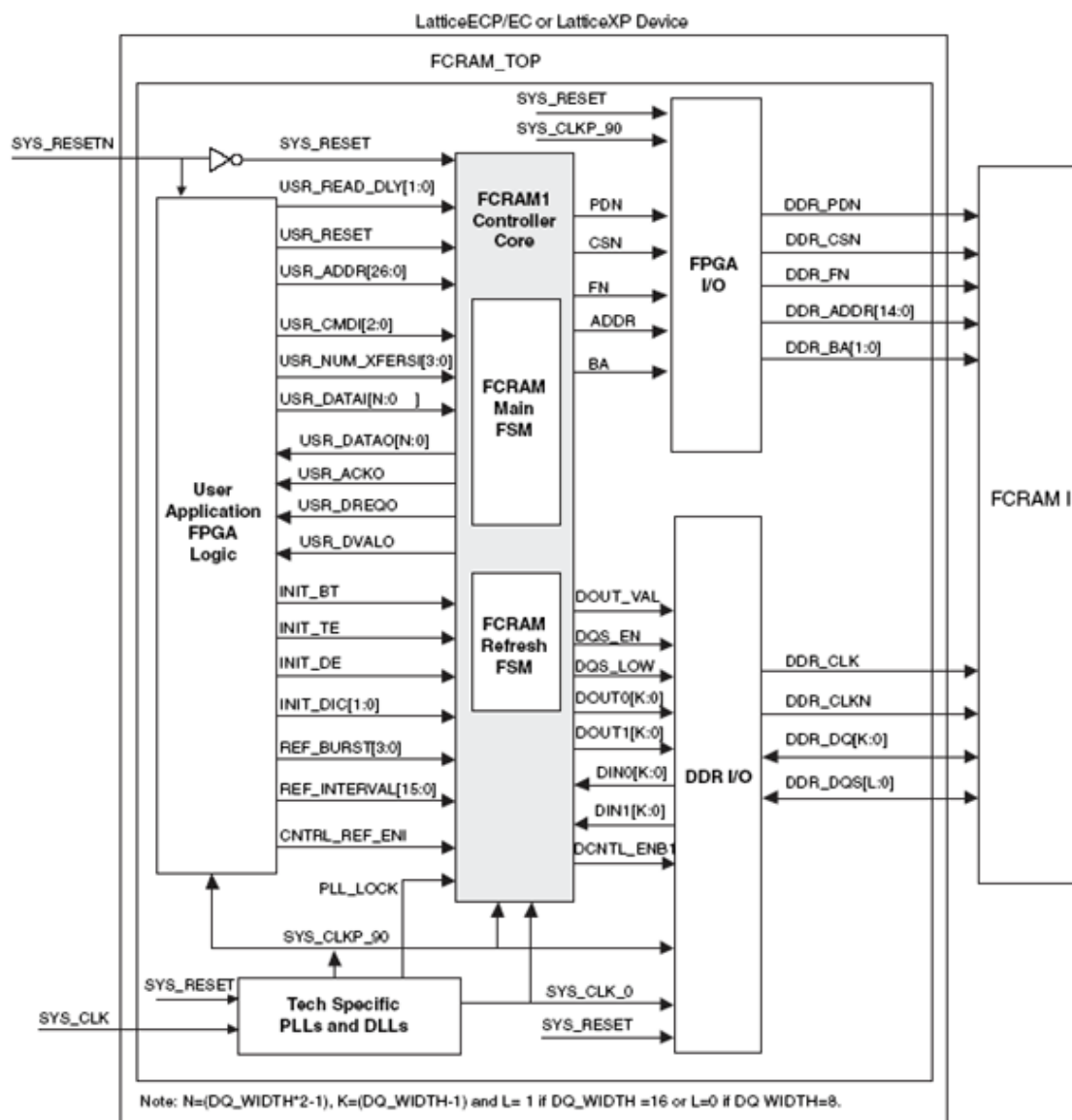
[Home](#) > [Products](#) > [Intellectual Property](#) > [Lattice IP Cores](#) > FCRAM I Controller

FCRAM I Controller

Overview

Fast Cycle RAM (FCRAM) is a DRAM technology with a specialized memory core technology that achieves faster random access times and offers lower power consumption than traditional DRAMs. FCRAM is a trademark of Fujitsu Ltd., Japan. As faster applications emerge in the networking and communications markets, there is a need for higher performance memories to meet the architectural requirements of these emerging applications. FCRAM memory technology addresses the needs of some of these emerging applications. For applications that require DRAM densities with random cycle performance approaching SRAM speeds, FCRAM provides a cost effective solution.

Lattice's FCRAM I controller core provides a simple and flexible solution to interfacing different FCRAM I memories to user application logic. On the memory side, the FCRAM I controller core interfaces to FCRAM I data bus widths with (configurable) 8 or 16 bit DDR memory interfaces. On the user side the core provides a simple command interface that accepts read, write, and refresh commands. The core interfaces to 256 Mbit FCRAM I devices (speed grades -60/CAS latency 3 and 4 and -55/CAS latency 3).



Features

- Supports 8- and 16-Bit FCRAM I DDR Data Interfaces
- Supports Parameterizeable Burst Lengths of 2 and 4
- Supports Parameterizeable CAS Latencies of 3 or 4
- Supports Controller Initiated Auto-refresh or User-initiated Auto/Self-refresh
- Built-in Initialization Sequence Automatically Programs the FCRAM I with User Settings
- Supports Bi-directional DDR Interface Between the Controller and FCRAM I (DQ and DQS)
- Supports a Target FCRAM I DDR Interface Frequency of 156 to 167MHz in a LatticeECP&trade or LatticeECP&trade Device

Evaluation Configurations

Performance and Utilization for LatticeECP/EC¹

Parameter File	SLICES	LUTs	Registers	I/Os	sysMEM EBRs	f _{MAX} (MHz)
fcram_one_e2_1_001.lpc	469	588	494	129	0	0

¹ Performance and utilization characteristics are generated using LFEC20E-5F672C in Lattice's ispLEVERv4.2 software.

Performance and Utilization for LatticeXP¹

Parameter File	SLICES	LUTs	Registers	I/Os	sysMEM EBRs	f _{MAX} (MHz)
fcram_one_xm_1_001.lpc	407	512	512	129	0	166.66

¹ Performance and utilization characteristics are generated using LFXP10 C -5F388C in Lattice's ispLEVER v5.0 software. When using this IP core in a different density, speed, or grade within the LatticeXP family, performance may vary.

Ordering Information

Part Numbers:

For LatticeECP/EC: FCRAM-ONE-E2-N1

For LatticeXP: FCRAM-ONE-XM-N1

To find out how to purchase the FCRAM I Controller IP Core, please contact your [local Lattice Sales Office](#).