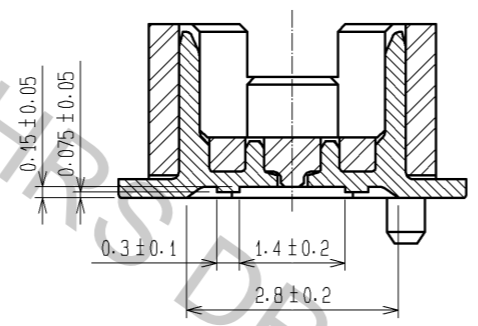
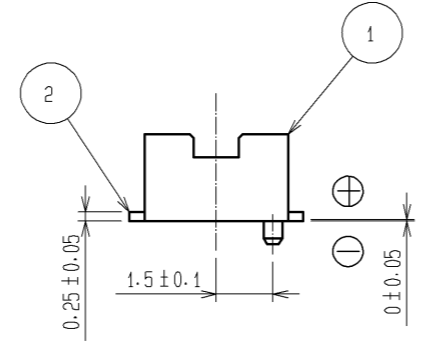
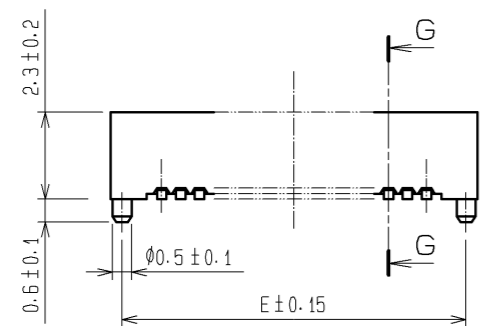


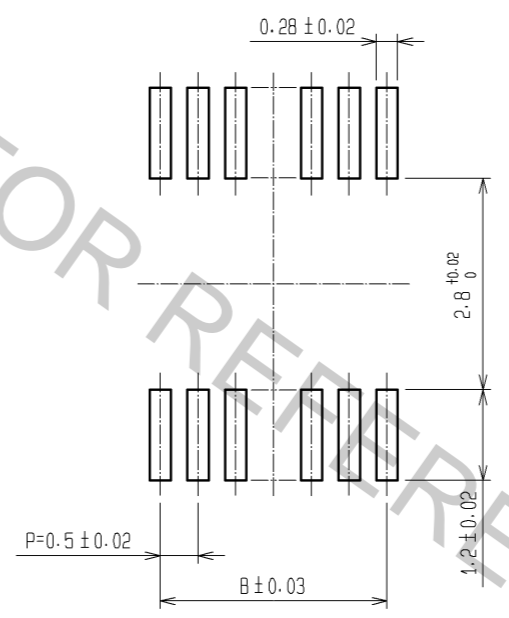
G-G (10:1)



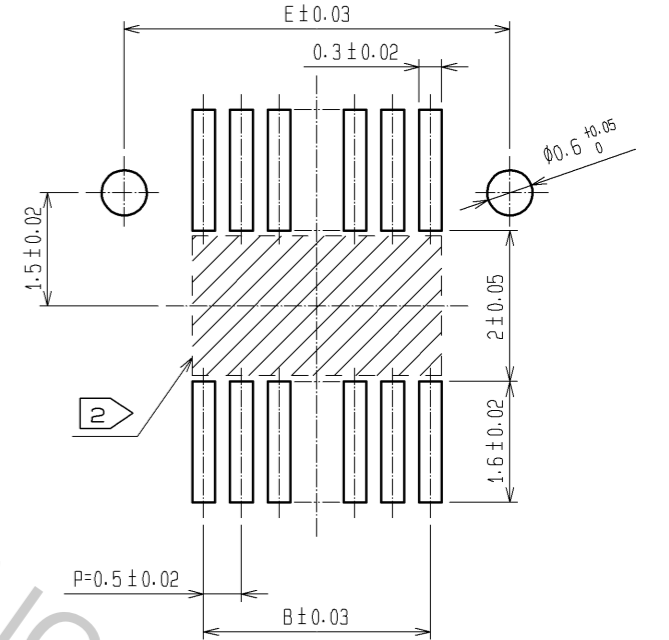
CODE No.	CONTACT	A	B	C	D	E	F
CL537-0791-5-81	10	4.7	2.0	2.8	3.2	4.1	2.8
CL537-0920-6-81	14	5.7	3.0	3.8	4.2	5.1	3.8
CL537-0793-0-81	20	7.2	4.5	5.3	5.7	6.6	5.3
CL537-0795-6-81	30	9.7	7.0	7.8	8.2	9.1	7.8
CL537-0802-0-81	32	10.2	7.5	8.3	8.7	9.6	8.3
CL537-0796-9-81	36	11.2	8.5	9.3	9.7	10.6	9.3
CL537-0797-1-81	40	12.2	9.5	10.3	10.7	11.6	10.3
CL537-0799-7-81	50	14.7	12.0	12.8	13.2	14.1	12.8
CL537-0801-7-81	60	17.2	14.5	15.3	15.7	16.6	15.3
CL537-0803-2-81	80	22.2	19.5	20.3	20.7	21.6	20.3



RECOMMEND METAL MASK PATTERN (10:1)



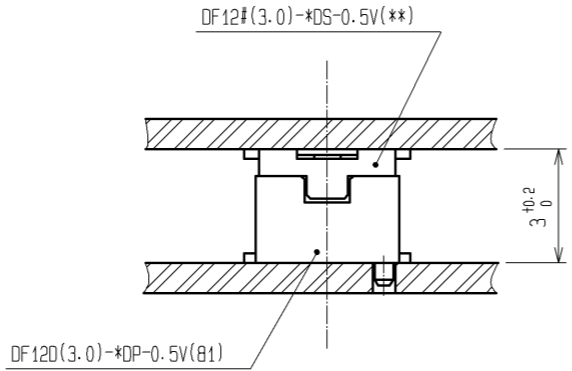
RECOMMENDED LAND PATTERN (10:1)



RECOMMENDED THICKNESS OF METAL MASK : 120 #m

RECOMMENDED THICKNESS OF SOLDER PASTE : 120 #m

NOTES 1 LEAD CO-PLANARITY SHALL BE 0.08 mm MAX.
 2 IF THERE IS PATTERN ON PART, THERE IS A POSSIBILITY THAT IT WILL MAKE CONTACT WITH THE LEADS.

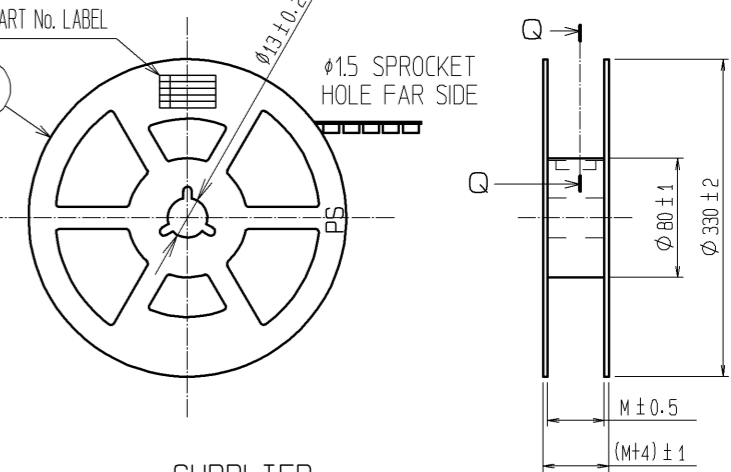
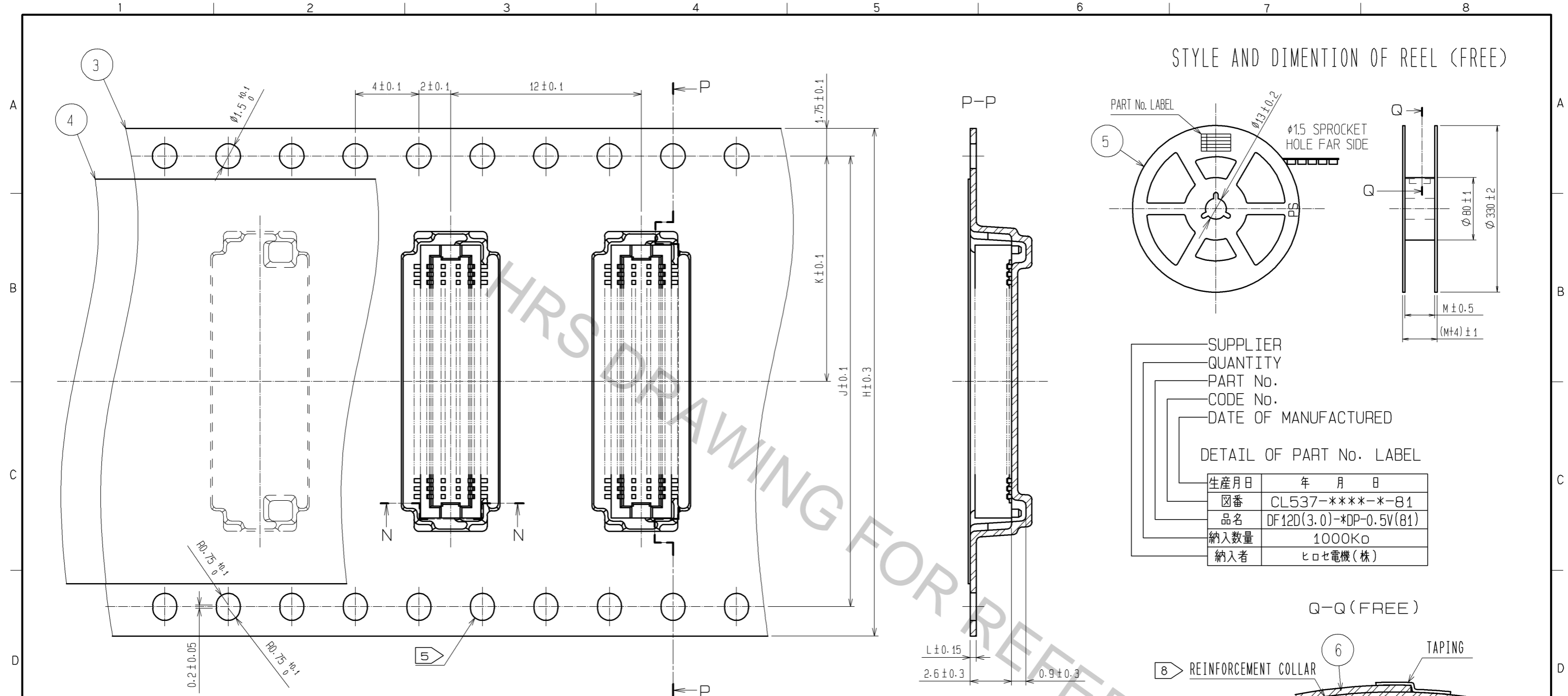


NO.	MATERIAL	FINISH	REMARKS	NO.	MATERIAL	FINISH	REMARKS
2	PHOSPHOR BRONZE		CONTACT AREA:GOLD PLATED 0.2#m min LEAD AREA:GOLD PLATED 0.015#m min OTHERS(UNDER PLATING):NICKEL PLATED 2#m min	6	PS		CLEAR (REINFORCEMENT COLLAR)
				5	PS		BLACK (PLASTIC REEL)
				4	POLYESTER		CLEAR (COVER TAPE)
1	POLYAMIDE		UL94V-0, NATURAL (BEIGE)	3	PS		CLEAR (EMBOSSED CARRIER TAPE)

UNITS	SCALE	COUNT	DESCRIPTION OF REVISIONS	DESIGNED	CHECKED	DATE
mm	5:1	△				

APPROVED : KH. IKEDA	13.08.19	DRAWING NO.	EDC3-163508-77
CHECED : YH. MICHIDA	13.08.08	PART NO.	DF12D(3.0)-*DP-0.5V(81)
DESIGNED : YN. SAKAMOTO	13.08.08	CODE NO.	CL537
DRAWN : KR. AJITO	13.08.08		

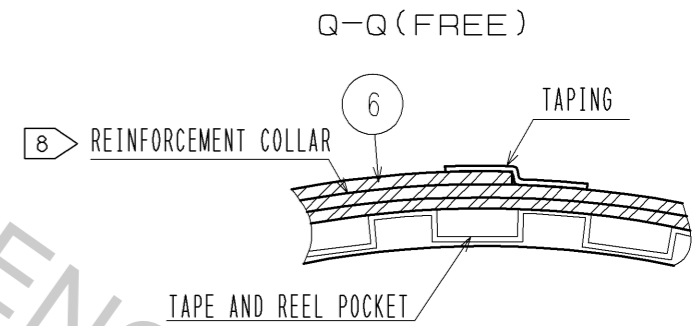
STYLE AND DIMENTION OF REEL (FREE)



SUPPLIER
 QUANTITY
 PART No.
 CODE No.
 DATE OF MANUFACTURED

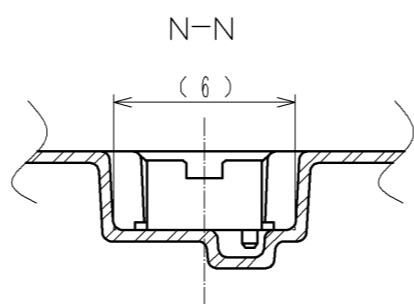
DETAIL OF PART No. LABEL

生産月日	年 月 日
図番	CL537-****-*-81
品名	DF12D(3.0)-*DP-0.5V(81)
納入数量	1000K ϕ
納入者	ヒロセ電機(株)



DIRECTION OF UNREELING →

CODE No.	CONTACT	H	J	K	L	M
CL537-0791-5-81	10	16	-	7.5	0.30	17.5
CL537-0920-6-81	14	16	-	7.5	0.30	17.5
CL537-0793-0-81	20	16	-	7.5	0.38	17.5
CL537-0795-6-81	30	24	-	11.5	0.38	25.5
CL537-0802-0-81	32	24	-	11.5	0.30	25.5
CL537-0796-9-81	36	24	-	11.5	0.38	25.5
CL537-0797-1-81	40	24	-	11.5	0.38	25.5
CL537-0799-7-81	50	24	-	11.5	0.38	25.5
CL537-0801-7-81	60	32	28.4	14.2	0.38	33.5
CL537-0803-2-81	80	44	40.4	20.2	0.38	45.5



- NOTES 3 1 REEL 1000 CONNECTORS.
 4 AT THE BEGINNING OF THE REEL, 30 COMPONENTS SHALL BE EMPTY.
 AT THE END OF THE REEL, 20 COMPONENTS SHALL BE EMPTY.
 5 WHEN THE TAPE WIDTH IS 32 mm OR 44mm, SPROCKET HOLES SHALL BE SET ON BOTH SIDE OF REEL AS SHOWN ON THIS DRAWING.
 6 PEEL FORCE REFERS TO JIS C 0806. (IEC 60286-3)
 7 THE REEL IS PACKED WITH A POLYETHYLENE MATERIAL, TOGETHER WITH A DRYING AGENT.
 8 AFTER PACKING, ROLL 2 METERS OF THE REINFORCEMENT COLLAR TO OUTER CIRCUMFERENCE OF TAPE AND REEL POCKET, AND TAPE DOWN AT THE END THE COLLAR.

HRS	DRAWING NO.	EDC3-163508-77
	PART NO.	DF12D(3.0)-*DP-0.5V(81)
	CODE NO.	CL537
		△ 2/2