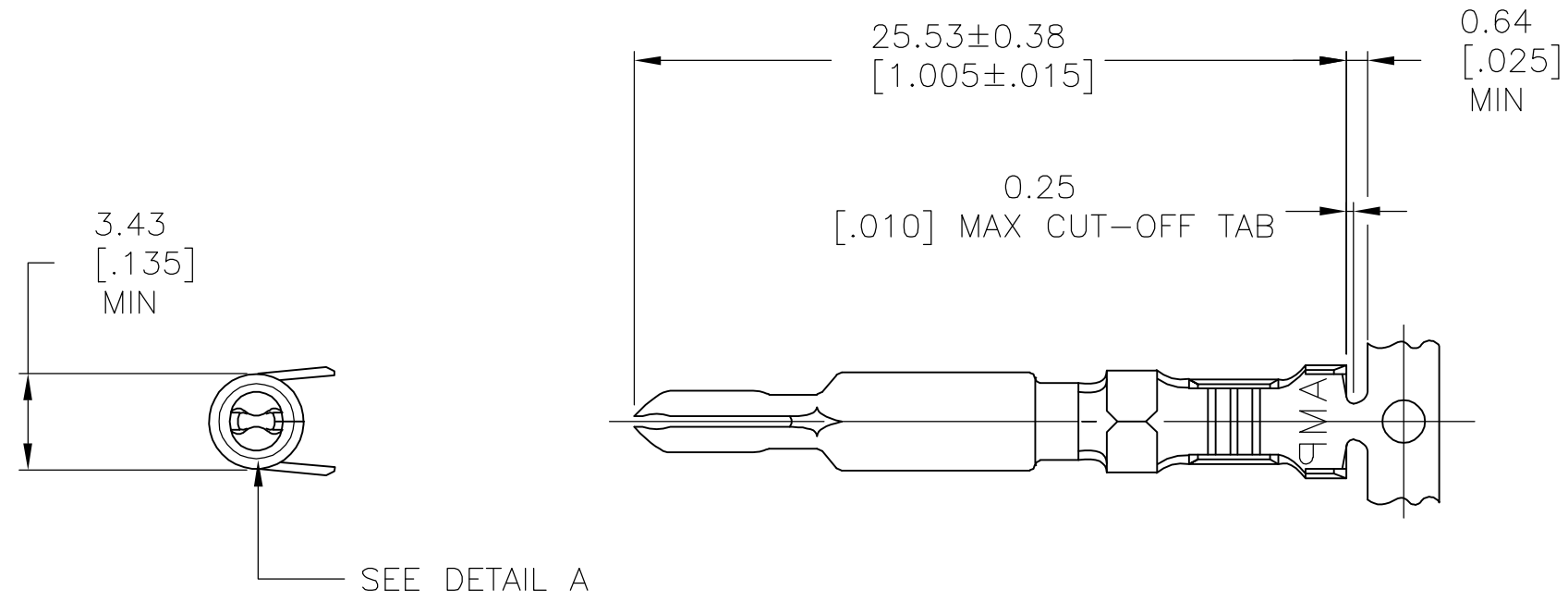
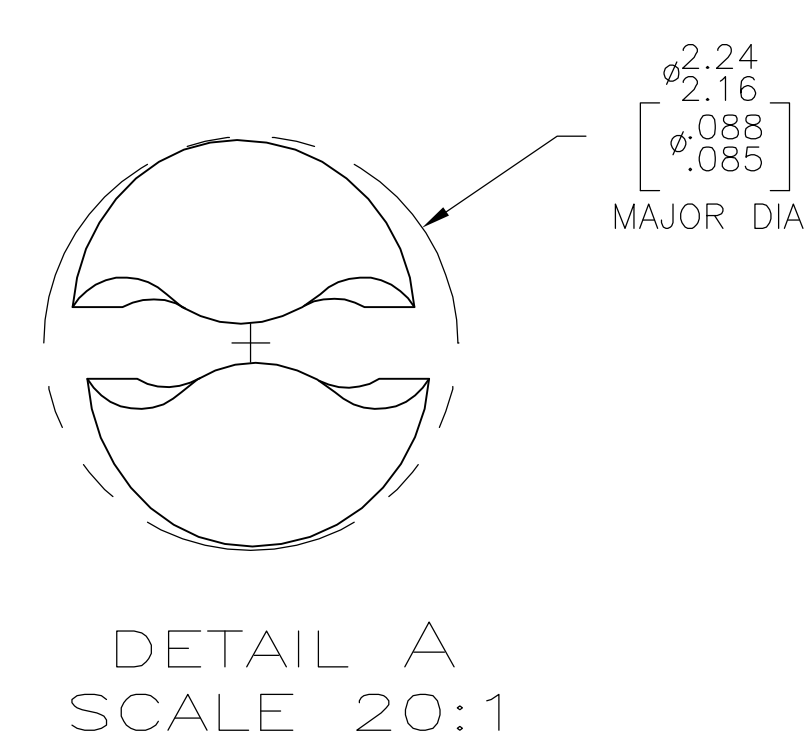
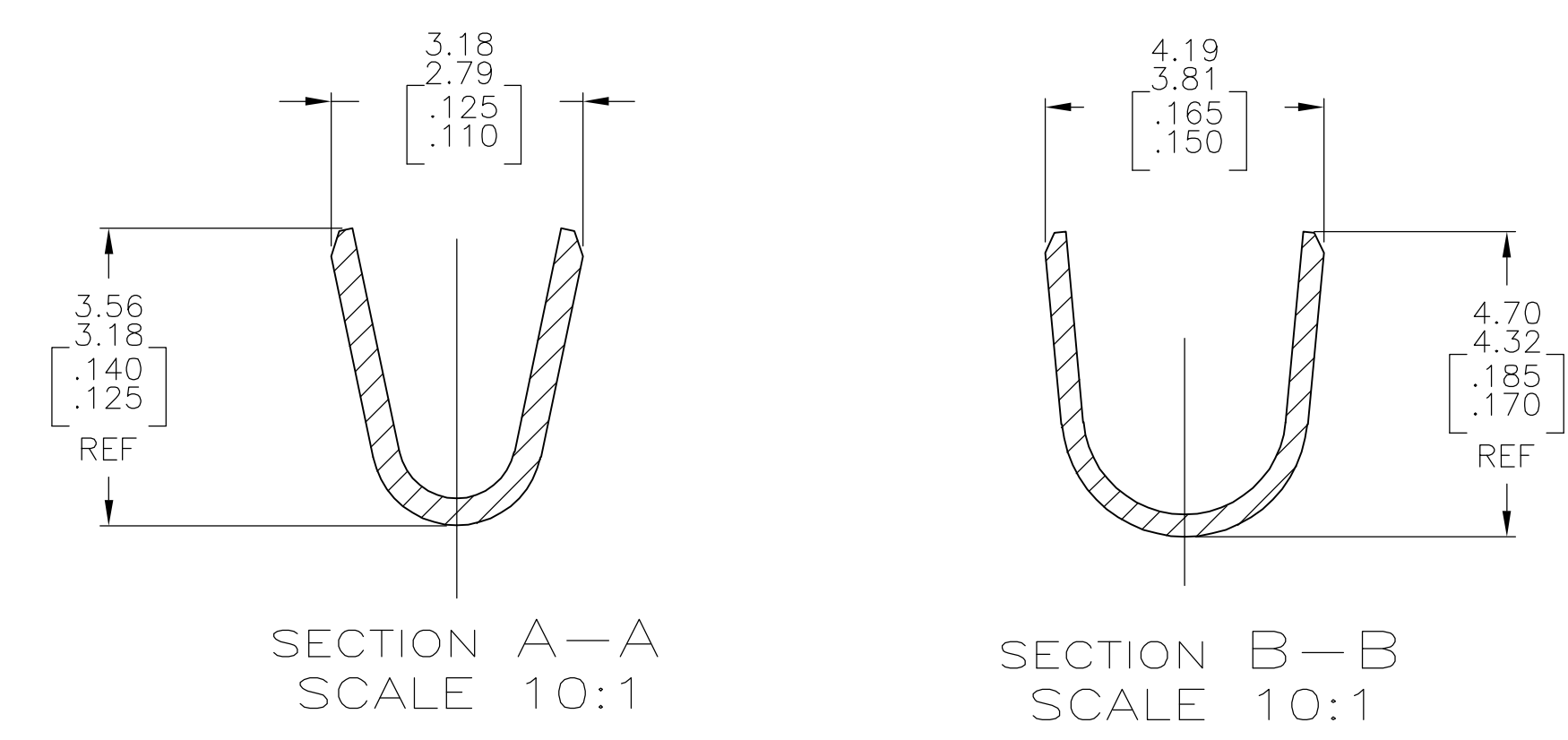
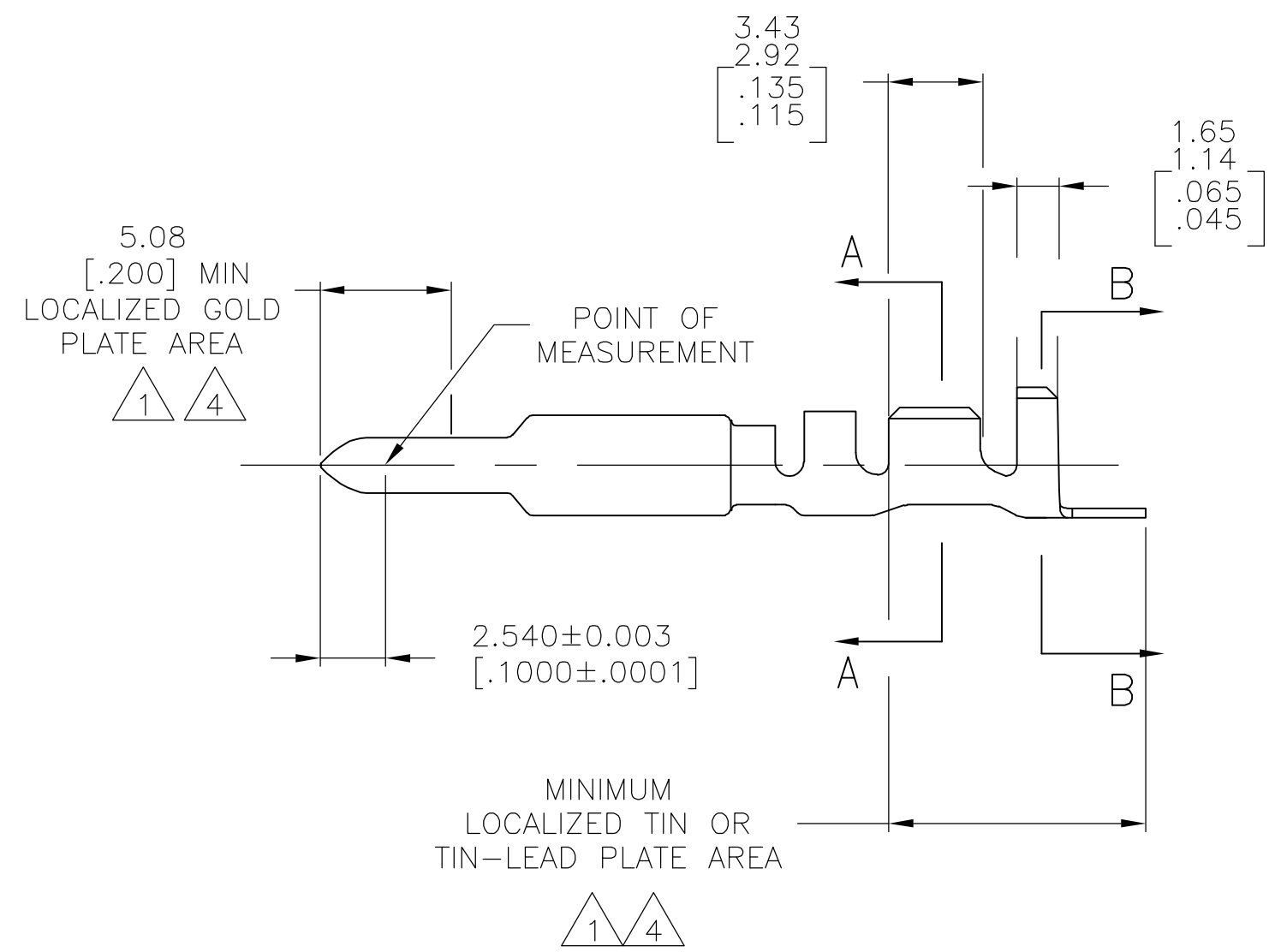


THIS DRAWING IS UNPUBLISHED. RELEASED FOR PUBLICATION
 © COPYRIGHT BY TYCO ELECTRONICS CORPORATION. ALL RIGHTS RESERVED.

LOC	DIST	REVISIONS					
CM	00	P	LTR	DESCRIPTION	DATE	DWN	APVD
		F		EC 0G3B 0215 05	21SEP05	BSV	RCJ



- 1 0.00076[.000030] MIN GOLD AT POINT OF MEASUREMENT IN THE LOCALIZED GOLD PLATE AREA, 0.00127[.000050] MIN TIN-LEAD IN TIN-LEAD PLATE AREA, 0.00127[.000050] MIN NICKEL UNDERPLATE ON ENTIRE CONTACT.
- 2. WIRE RANGE: 0.5-2mm² [20-14 AWG] INSULATION RANGE: 1.52-3.30 [.060-.130] DIA.
- 3. DIMENSIONS IN BRACKETS ARE IN INCHES.
- 4 0.00076[.000030] MIN GOLD AT POINT OF MEASUREMENT IN THE LOCALIZED GOLD PLATE AREA, 0.00127[.000050] MIN TIN IN TIN PLATE AREA, 0.00127[.000050] MIN NICKEL UNDERPLATE ON ENTIRE CONTACT.



METRIC

GOLD	0.30 [.012]	BRASS	1-770007-0
GOLD	0.30 [.012]	BRASS	770007-2
PRE-TIN	0.30 [.012]	BRASS	770007-1
FINISH		MATERIAL	PART NUMBER

THIS DRAWING IS A CONTROLLED DOCUMENT.

DWN	S. CARPENTER	20MAY03	Tyco Electronics Corporation Harrisburg, PA 17105-3608
CHK	C. JONES	20MAY03	
APVD	C. JONES	20MAY03	
NAME	C. JONES		
DIMENSIONS:	TOLERANCES UNLESS OTHERWISE SPECIFIED:		PRODUCT SPEC
mm [INCHES]	0 PLC ± -		APPLICATION SPEC
	1 PLC ± -		WEIGHT
	2 PLC ± -		SIZE
	3 PLC ± -		CAGE CODE
	4 PLC ± -		DRAWING NO
	ANGLES ± -		RESTRICTED TO
	FINISH		SCALE
MATERIAL	SEE TABLE		SHEET
SEE TABLE	SEE TABLE		1 of 1
CUSTOMER DRAWING			REV
			F