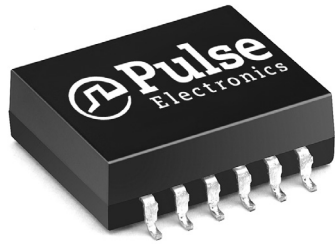


10/100Base-TX Single Port Transformer Modules

With Various Transmit Turns Ratios



- RoHS peak reflow temperature rating 245°C
- Compact symmetrical size facilitates chip shooter placement and reduces manufacturing time
- Meets IEEE 802.3 specification

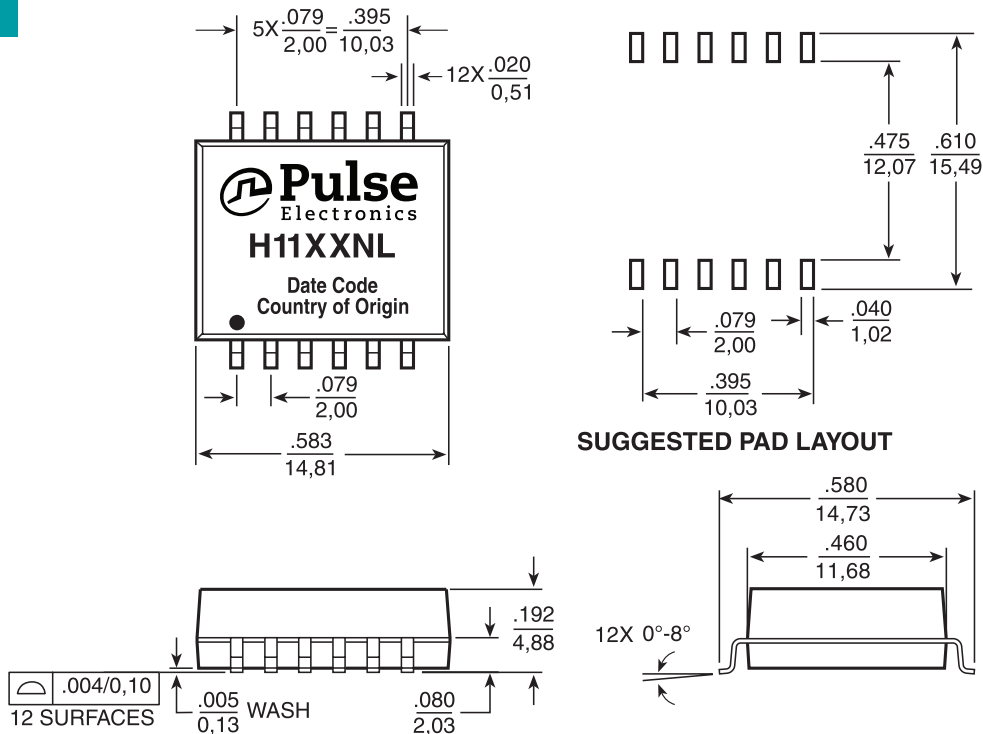
Electrical Specifications @ 25°C - Operating Temperature 0°C to +70°C

Part Number ¹	Turns Ratio (TRANSMIT)	Insertion Loss (dB MAX)	Return Loss (dB MIN)				Differential to Common Mode Rejection (dB TYP)				Crosstalk (dB TYP)			Hipot (Vrms)
			100 kHz-100 MHz	1-30 MHz	40 MHz	50 MHz	60-80 MHz	30 MHz	60 MHz	100 MHz	200 MHz	30 MHz	60 MHz	
H1112NL ^{2c}	1CT: 1CT	1.2	-16	-14	-13	-12	-59	-49	-42	-37	-40	-40	-35	1500
H1126NL ^{2c}	1CT: 1.41CT	1.2	-16	-14	-13	-12	-59	-49	-42	-37	-40	-40	-35	1500

- For Tape & Reel packaging, add a "T" suffix at the end of the part number when ordering e.g. H1112NLT.
- MSL = Moisture Sensitivity Level a = 1, b = 2, c = 3, d = 4

Mechanicals

H1112NL, H1126NL



Dimensions: $\frac{\text{Inches}}{\text{mm}}$

Unless otherwise specified, all tolerances are $\pm \frac{.010}{0,25}$

Weight1.7 grams
Tape & Reel350/reel
Tube35/tube

USA 858 674 8100

Germany 49 7032 7806 0

Singapore 65 6287 8998

Shanghai 86 21 62787060

China 86 755 33966678

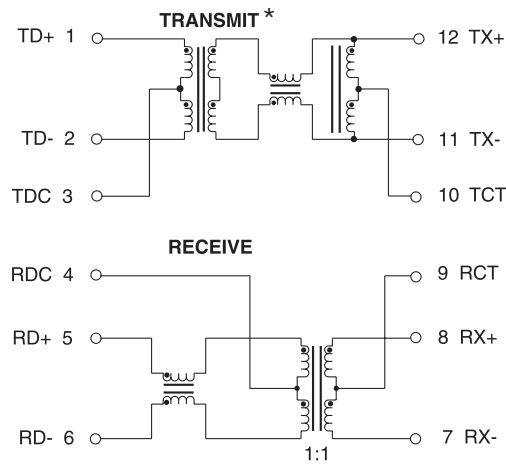
Taiwan 886 3 4356768

10/100Base-TX Single Port Transformer Modules

With Various Transmit Turns Ratios

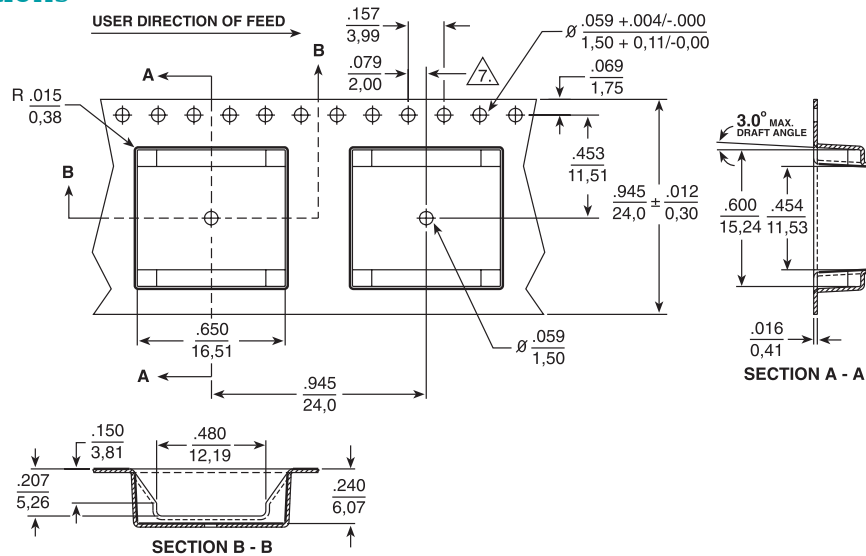
Schematics

H1112NL, H1126NL



* Reference Electrical Specifications chart for turns ratio.

Tape & Reel Specifications



For More Information

Pulse Worldwide Headquarters
12220 World Trade Drive
San Diego, CA
92128
U.S.A.

Tel: 858 674 8100

Pulse Europe
Einsteinstrasse 1
D-71083 Herrenberg
Germany

Tel: 49 7032 7806

Pulse China Headquarters
B402, Shenzhen Academy of
Aerospace Technol-
ogy Bldg.
10th Kejinan Road
High-Tech Zone
Nanshan District
Shenzhen, PR China
518057

Pulse North China
Room 2704/2705
Super Ocean Finance
Ctr.
2067 Yan An Road
West
Shanghai 200336
China

Pulse South Asia
135 Joo Seng Road
#03-02
PM Industrial Bldg.
Singapore 368363

Tel: 65 6287 8998
Fax: 65 6287 8998

Pulse North Asia
3F, No. 198
Zhongyuan Road
Zhongli City
Taoyuan County 320
Taiwan R. O. C.
Tel: 886 3 4356768
Fax: 886 3 4356823
(Pulse)

Performance warranty of products offered on this data sheet is limited to the parameters specified. Data is subject to change without notice. Other brand and product names mentioned herein may be trademarks or registered trademarks of their respective owners. © Copyright, 2013. Pulse Electronics, Inc. All rights reserved.