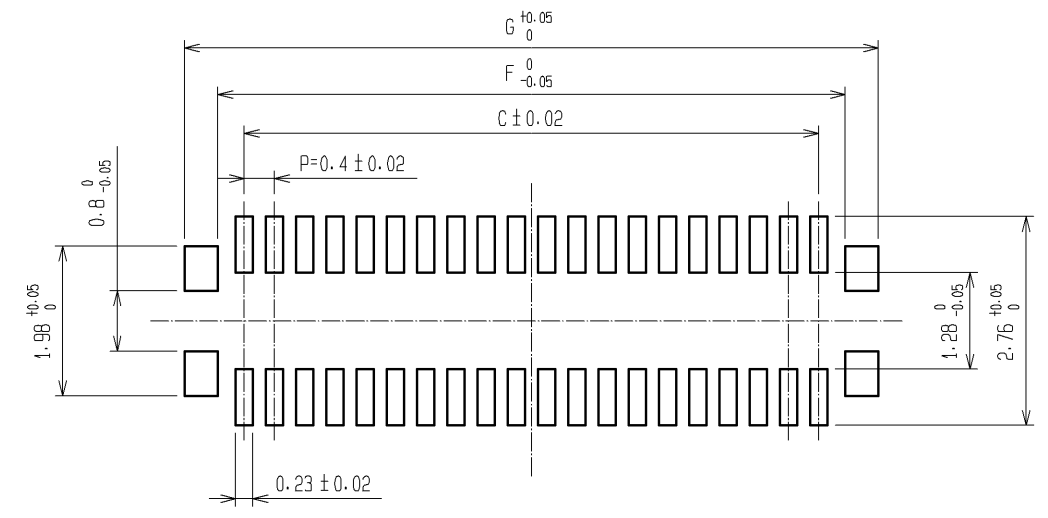
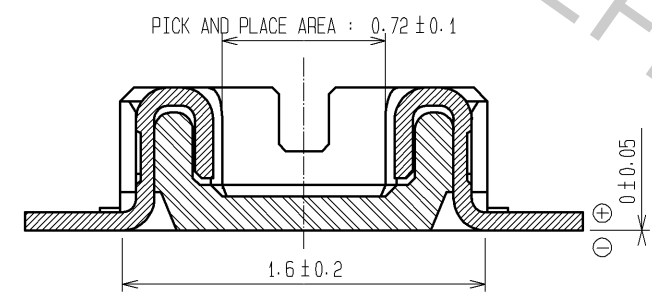


△ 7 > RECOMMENDED PATTERN

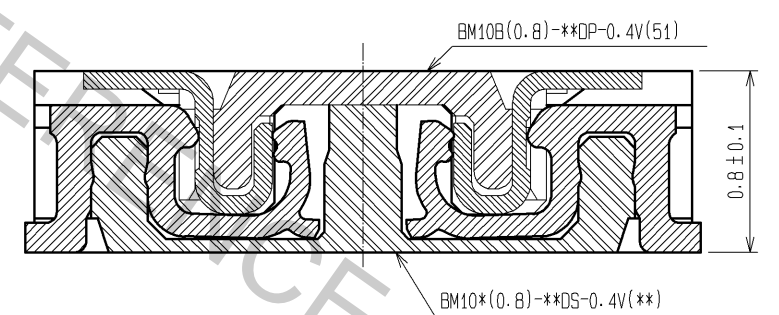


△ 7 > RECOMMENDED SOLDER PASTE : THICKNESS 120μm
 △ 7 > RECOMMENDED METAL MASK OPENING RATIO : 100%

A-A



ENGAGEMENT FIGURE

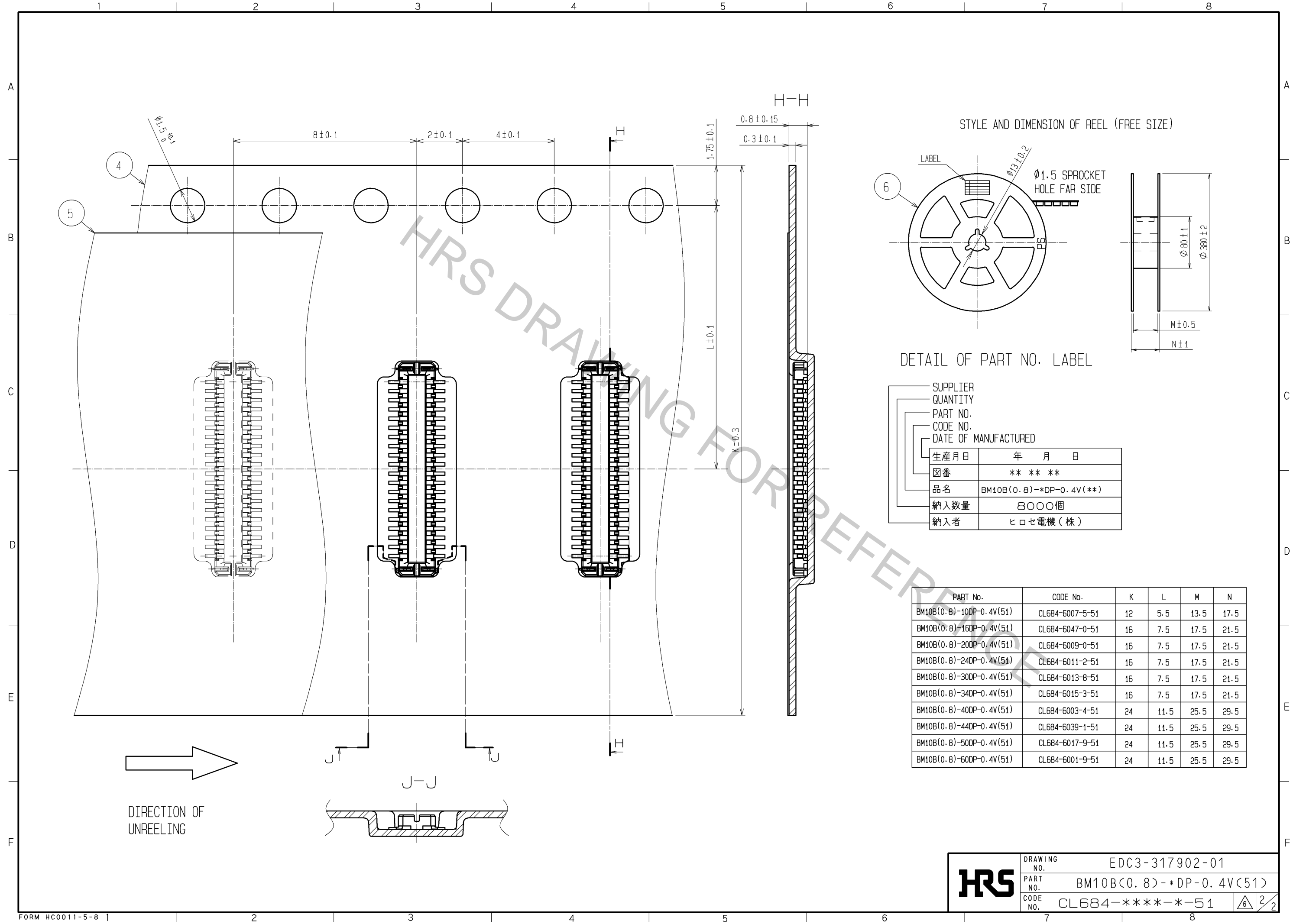


- NOTE 1. ALL LEADS CO-PLANARITY SHALL BE 0.1 MAX.
 2. PER REEL : 8000 CONNECTORS.
 3. AT THE BEGINNING OF THE REEL, 100 mm AT MIN SHALL BE EMPTY POCKETS.
 AT THE END OF THE REEL, 160 mm AT MIN SHALL BE EMPTY.
 4 > CONTACT PLATING SPECIFICATIONS.
 CONTACT AREA : GOLD 0.05μm MIN.
 SMT LEAD : GOLD 0.05μm MIN.
 UNDERPLATING : NICKEL 1μm MIN.
 (SURFACE : SEALING)
 5 > METAL HOLD DOWN PLATING SPECIFICATIONS.
 MOUNTING AREA: GOLD 0.05μm MIN.
 UNDERPLATING : NICKEL 1μm MIN.

6. PEEL FORCE OF COVER TAPE REFERS TO JIS C 0806.
 7 > PLEASE CONTACT US IN CASE YOU WILL MAKE DIFFERENT SETTINGS FROM OUR RECOMMENDATION.

PART No.	CODE No.	B	C	D	E	F	G
BM10B(0.8)-10DP-0.4V(51)	CL684-6007-5-51	3.32	1.6	0.8	2.74	2.3	3.18
BM10B(0.8)-16DP-0.4V(51)	CL684-6047-0-51	4.52	2.8	1.6	3.94	3.5	4.38
BM10B(0.8)-20DP-0.4V(51)	CL684-6009-0-51	5.32	3.6	1.6	4.74	4.3	5.18
BM10B(0.8)-24DP-0.4V(51)	CL684-6011-2-51	6.12	4.4	2.0	5.54	5.1	5.98
BM10B(0.8)-30DP-0.4V(51)	CL684-6013-8-51	7.32	5.6	2.0	6.74	6.3	7.18
BM10B(0.8)-34DP-0.4V(51)	CL684-6015-3-51	8.12	6.4	2.4	7.54	7.1	7.98
BM10B(0.8)-40DP-0.4V(51)	CL684-6003-4-51	9.32	7.6	2.4	8.74	8.3	9.18
BM10B(0.8)-44DP-0.4V(51)	CL684-6039-1-51	10.12	8.4	2.8	9.54	9.1	9.88
BM10B(0.8)-50DP-0.4V(51)	CL684-6017-9-51	11.32	9.6	2.8	10.74	10.3	11.18
BM10B(0.8)-60DP-0.4V(51)	CL684-6001-9-51	13.32	11.6	3.2	12.74	12.3	13.18

3	PHOSPHOR BRONZE	5 >	6	PS	PLASTIC REEL (BLACK)
2	PHOSPHOR BRONZE	4 >	5	POLYESTER	CLEAR(COVER TAPE)
1	LCP	UL94V-0. BLACK	4	PS	CLEAR(EMBOSSED CARRIER TAPE)
NO.	MATERIAL	FINISH . REMARKS	NO.	MATERIAL	FINISH . REMARKS
UNITS	mm	SCALE	10 : 1	COUNT	3
APPROVED : KH. IKEDA		08.01.23		DRAWING NO. EDC3-317902-01	
CHECED : KY. MIDORIKAWA		08.01.23		PART NO. BM10B(0.8)-*DP-0.4V(51)	
DESIGNED : TH. ARAI		08.01.16		CODE NO. CL684-****-*-51	
DRAWN : SH. HOSODA		08.01.12		1/2	



HRS	DRAWING NO.	EDC3-317902-01	
	PART NO.	BM10B(0.8)-*DP-0.4V(51)	
	CODE NO.	CL684-****-*-51	2/2